

SETTOP UNIVERSAL BUILT IN EKO MODULE



HAND TOOLS REQUIRED FOR INSTALLATION

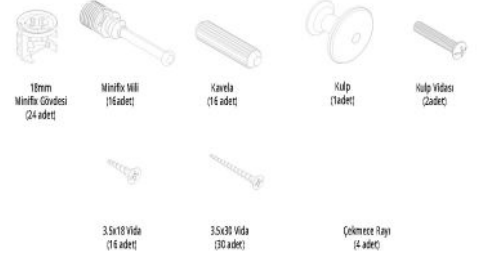


Yıldız Uçlu Tornavida

Sprji Markap

Metre

ACCESSORIES LIST



18mm
Minifix Gıvdesi
(24 adet)

Minifix Vili
(16 adet)

Kavala
(16 adet)

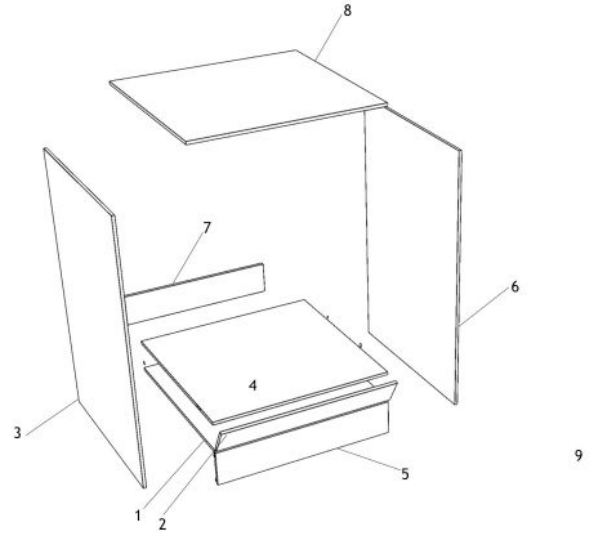
Kulp
(1 adet)

Kulp Vidası
(2 adet)

3.5x18 Vida
(16 adet)

3.5x30 Vida
(30 adet)

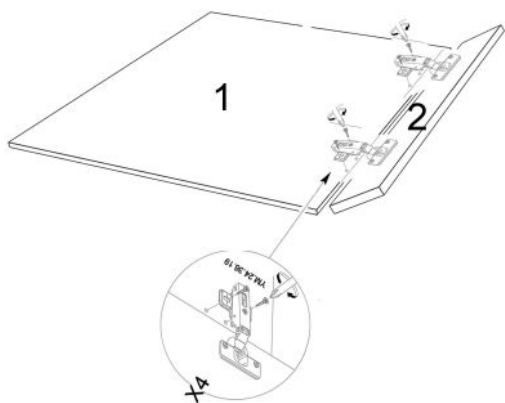
Çekmece Rayı
(4 adet)



PART NUMBER PART NAME

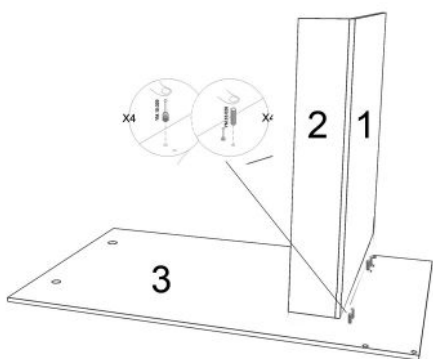
- 1- Bottom Table
- 2- lid
- 3- left side piece
- 4- middle piece
- 5- lower crown
- 6- Right side piece
- 7- backrest
- 8- Top Panel

1- *You must start the installation with part number 1.



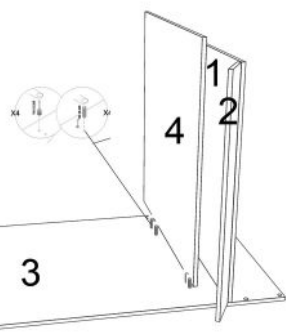
Parts 1 and 2 must be hinged before installation.

2-



* Lay down the left side panel number 3 on the ground.
Attach the parts 1 and 2 that you have connected as shown in the figure.

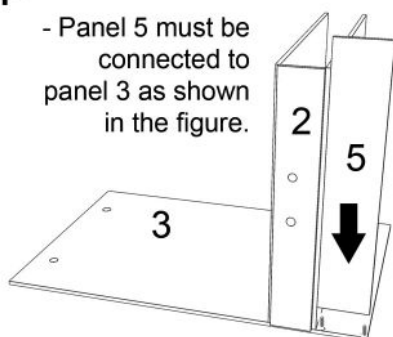
3-



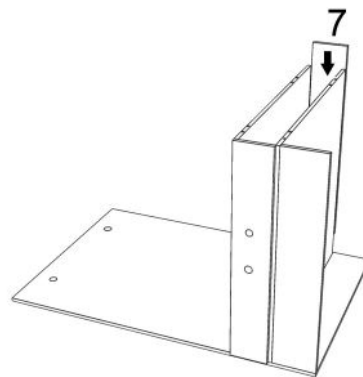
- Connect panel 4 to panel no. 3.

4-

- Panel 5 must be connected to panel 3 as shown in the figure.

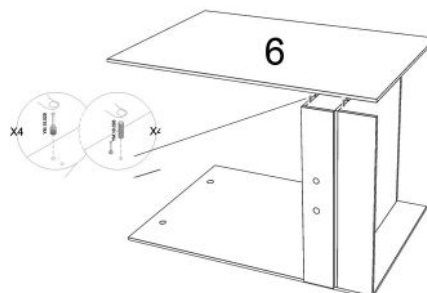


5-



- Backrest 7 must be connected as shown in the figure.

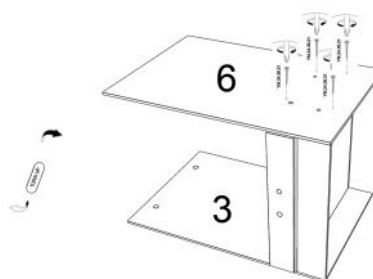
6-



- Connect the right side panel number 6 as shown in the figure.

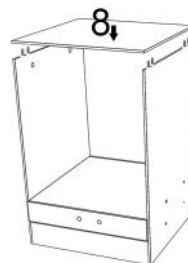
7-

* Now turn the product as shown in the figure.



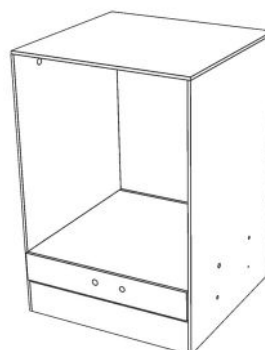
NOTE: After the right panel is attached, external screwing must be done.

8-



- Top panel number 8 should be installed as shown in the figure.

9-



You have completed the product installation.